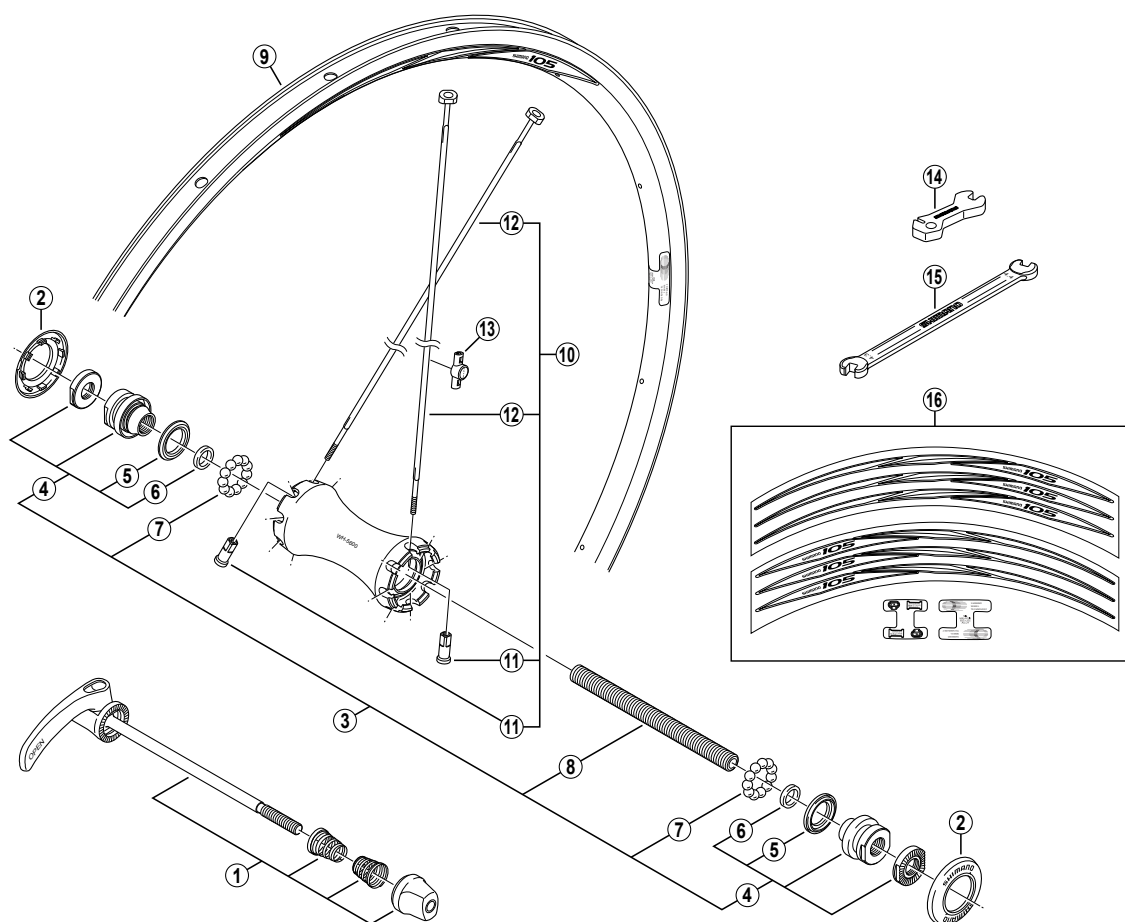


SHIMANO 105 Front Wheel WH-5600-F



• Over Lock Nut Dimension: 100 mm (3-15/16")

ITEM NO.	SHIMANO CODE NO.	DESCRIPTION	INTERCHANGEABILITY		
			WH-R601	WH-R580	WH-R561
1	Y-26B 98010	Complete Quick Release 133 mm (5-1/4")	B	A	B
2	Y-4CB13000	Hub Cap	A	A	B
3	Y-4CF 98010	Complete Hub Axle 108 mm (4-1/4")	A	A	A
4	Y-4CF 98020	Lock Nut Unit	A	A	A
5	Y-214 06000	Seal Ring	A	A	A
6	Y-2T8 04000	O-Ring	A	A	A
7	Y-4BB98030	Steel Ball (3/16") 22 pcs.	A	A	A
8	Y-21C 03100	Hub Axle 108 mm (4-1/4")	A	A	A
9	E-WHRIM1FFGAC	Rim {16H / Silver / Anodized / Clincher}			
10	E-WHSPOKE1HA1	Spoke Unit {Spoke (284 mm x 16 pcs.) / Spoke Washer (16 pcs.) / Nipple (16 pcs.)}	A	A	B
11	Y-012 Z4205	Nipple	A	A	B
12	Y-4CF 98030	Spoke (284 mm) w/Washer	A	A	A
13	Y-4BN98090	Magnet Sensor	A	A	
14	Y-4A0 08000	Nipple Wrench	A	A	
15	Y-4A0 14000	TL-WH77 Nipple Wrench	A	A	
16	Y-4CB98010	Rim Sticker Unit			

A: Same parts.

B: Parts are usable, but differ in materials, appearance, finish, size, etc.
Absence of mark indicates non-interchangeability.

0606-2567

Specifications are subject to change without notice.

SHIMANO