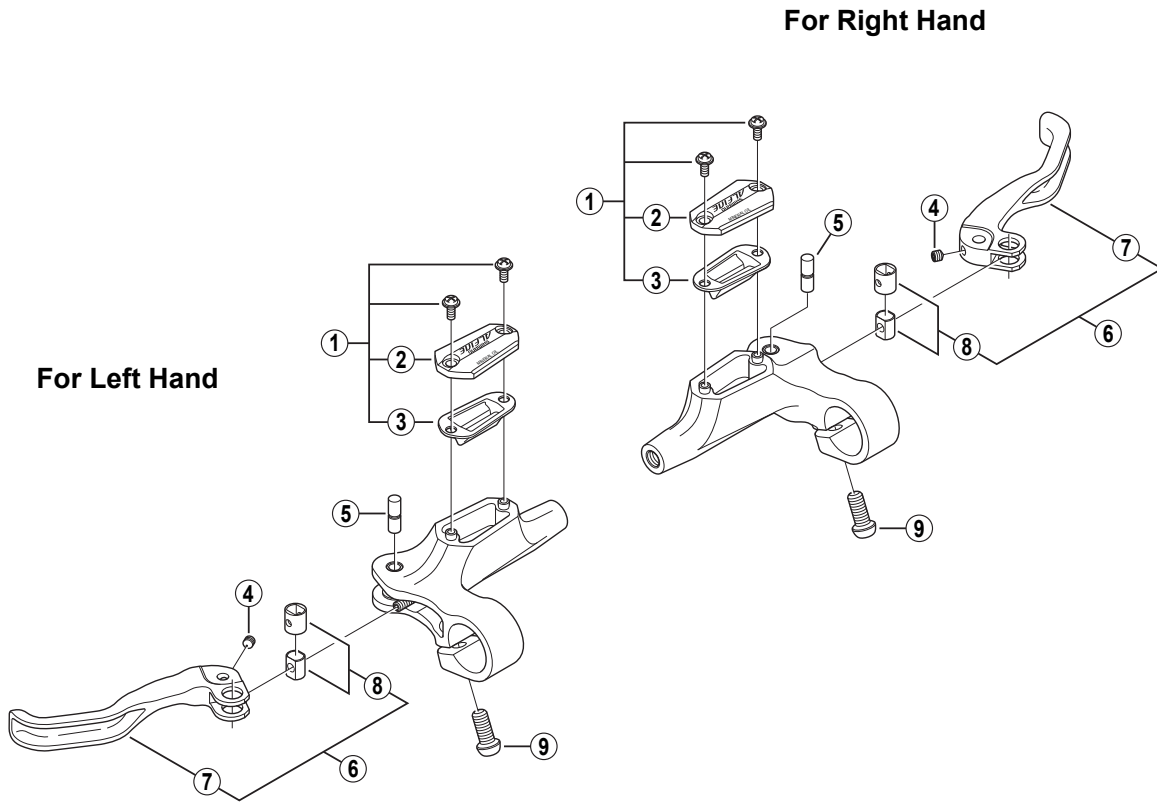


ALFINE Brake Lever

BL-S502 For Disc Brake



ITEM NO.	SHIMANO CODE NO.	DESCRIPTION	INTERCHANGEABILITY	
			BL-S500	BL-M535
1	Y-8U4 98010	R.H. Lid Unit	B	
	Y-8U4 98020	L.H. Lid Unit	B	
2	Y-8S4 07080	R.H. Lid	B	
	Y-8S4 07180	L.H. Lid	B	
3	Y-8S1 06000	Diaphragm	A	A
4	Y-8SZ 07000	Lever Axle Fixing Bolt	A	A
5	Y-8SZ 06000	Lever Axle	A	A
* 6	Y-8U4 98030	Lever Unit (Silver)	B	
	Y-8T1 98030	Lever Unit (Black)		
* 7	Y-8SZ 05900	Lever Member (Silver)	B	
	Y-8SZ 05200	Lever Member (Black)		
8	Y-6JK 98070	Reach Adjusting Boss & Sleeve	A	A
9	Y-8SB 10000	Clamp Bolt (M6 x 14.8)	A	A

A: Same parts.

B: Parts are usable, but differ in materials, appearance, finish, size, etc.

Absence of mark indicates non-interchangeability.

0705-2633A

Specifications are subject to change without notice.

SHIMANO