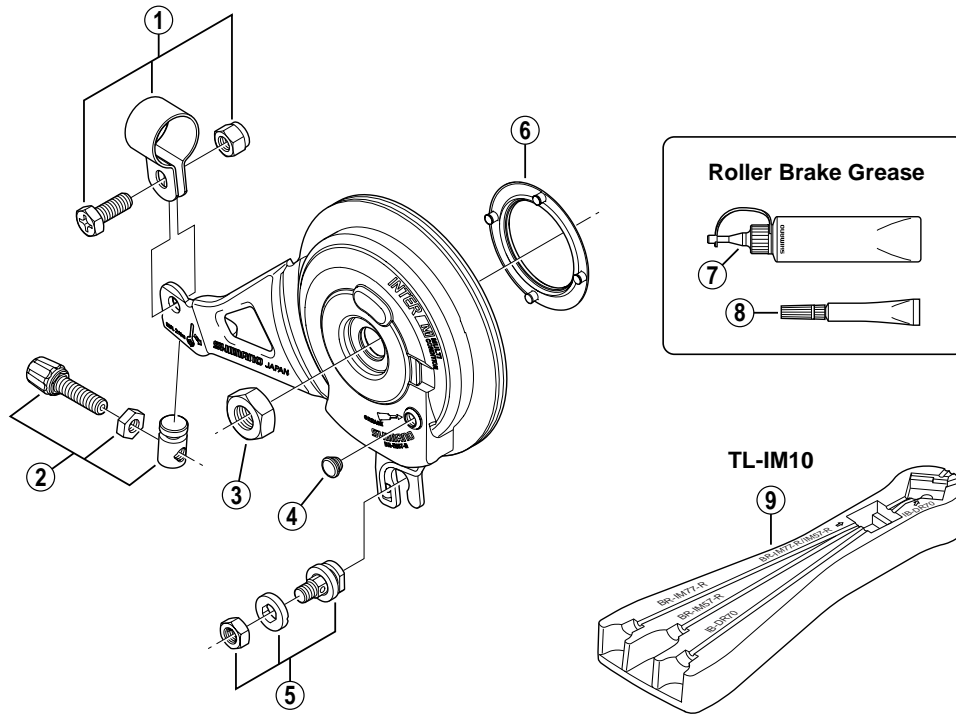


# Roller Brake BR-IM57-R



BR-IM77-R  
BR-IM73-R  
BR-IM53-R

ITEM NO.	SHIMANO CODE NO.	DESCRIPTION	INTERCHANGEABILITY
1	Y-75M 98050	Brake Arm Clip Unit (φ 15 mm)	A A A
	Y-33F 98090	Brake Arm Clip Unit (5/8")	A A A
	Y-75M 98060	Brake Arm Clip Unit (11/16")	A A A
	Y-33F 98100	Brake Arm Clip Unit (3/4")	A A A
2	Y-75P 98080	Cable Adjusting Bolt Unit	B A
3	Y-75V 13041	Brake Unit Fixing Nut (B.C. 3/8" x 7.2 mm)	A A A
	Y-75V 13001	Brake Unit Fixing Nut (B.C. 3/8" x 8.2 mm)	A A A
	Y-75V 13300	Brake Unit Fixing Nut (M10 x 7.2 mm)	A A A
	Y-75V 13031	Brake Unit Fixing Nut (M10 x 8.2 mm)	A A A
4	Y-75F 11000	Grease Hole Cap	A A A
5	Y-8FK 98020	Inner Cable Fixing Bolt Unit	A
6	Y-75P 17000	Seal Ring	A
7	Y-041 20400	Roller Brake Grease (Net. 100g)	A A A
8	Y-041 40020	Roller Brake Grease (Net. 10g)	A A A
9	Y-75W98010	TL-IM10 Cable Adjusting Tool	A

A: Same parts.

B: Parts are usable, but differ in materials, appearance, finish, size, etc.

Absence of mark indicates non-interchangeability.

0807-2879

Specifications are subject to change without notice.

# SHIMANO