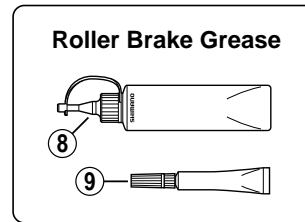
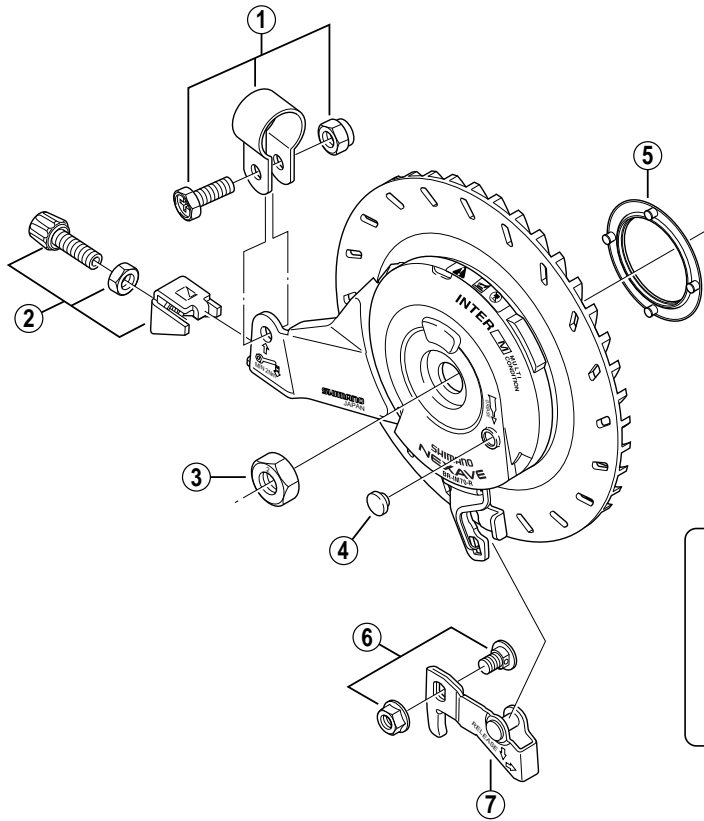


Roller Brake BR-IM70-R



| ITEM NO. | SHIMANO CODE NO. | DESCRIPTION | INTERCHANGEABILITY | | |
|----------|------------------|--|--------------------|-----------|-----------|
| | | | BR-IM41-R | BR-IM50-R | BR-IM73-R |
| 1 | Y-75M 98050 | Brake Arm Clip Unit (φ 15 mm) | A | A | A |
| | Y-33F 98090 | Brake Arm Clip Unit (5/8") | A | A | A |
| | Y-75M 98060 | Brake Arm Clip Unit (11/16") | A | A | A |
| | Y-33F 98100 | Brake Arm Clip Unit (3/4") | A | A | A |
| 2 | Y-75E 98010 | Cable Adjusting Bolt Unit | | | A |
| 3 | Y-75V 13041 | Brake Unit Fixing Nut (B.C. 3/8" x 7.2 mm) | A | A | A |
| | Y-75V 13001 | Brake Unit Fixing Nut (B.C. 3/8" x 8.2 mm) | A | A | A |
| | Y-75V 13300 | Brake Unit Fixing Nut (M10 x 7.2 mm) | A | A | A |
| | Y-75V 13031 | Brake Unit Fixing Nut (M10 x 8.2 mm) | A | A | A |
| 4 | Y-75F 11000 | Grease Hole Cap | A | A | A |
| 5 | Y-75P 17000 | Seal Ring | A | A | A |
| 6 | Y-75F 98020 | Inner Cable Fixing Bolt & Nut | | | A |
| 7 | Y-75E 98020 | Link Unit | | | A |
| 8 | Y-041 20400 | Roller Brake Grease (Net. 100g) | A | A | A |
| 9 | Y-041 40020 | Roller Brake Grease (Net. 10g) | A | A | A |

A: Same parts.

B: Parts are usable, but differ in materials, appearance, finish, size, etc.

Absence of mark indicates non-interchangeability.

0804-2838

Specifications are subject to change without notice.

SHIMANO