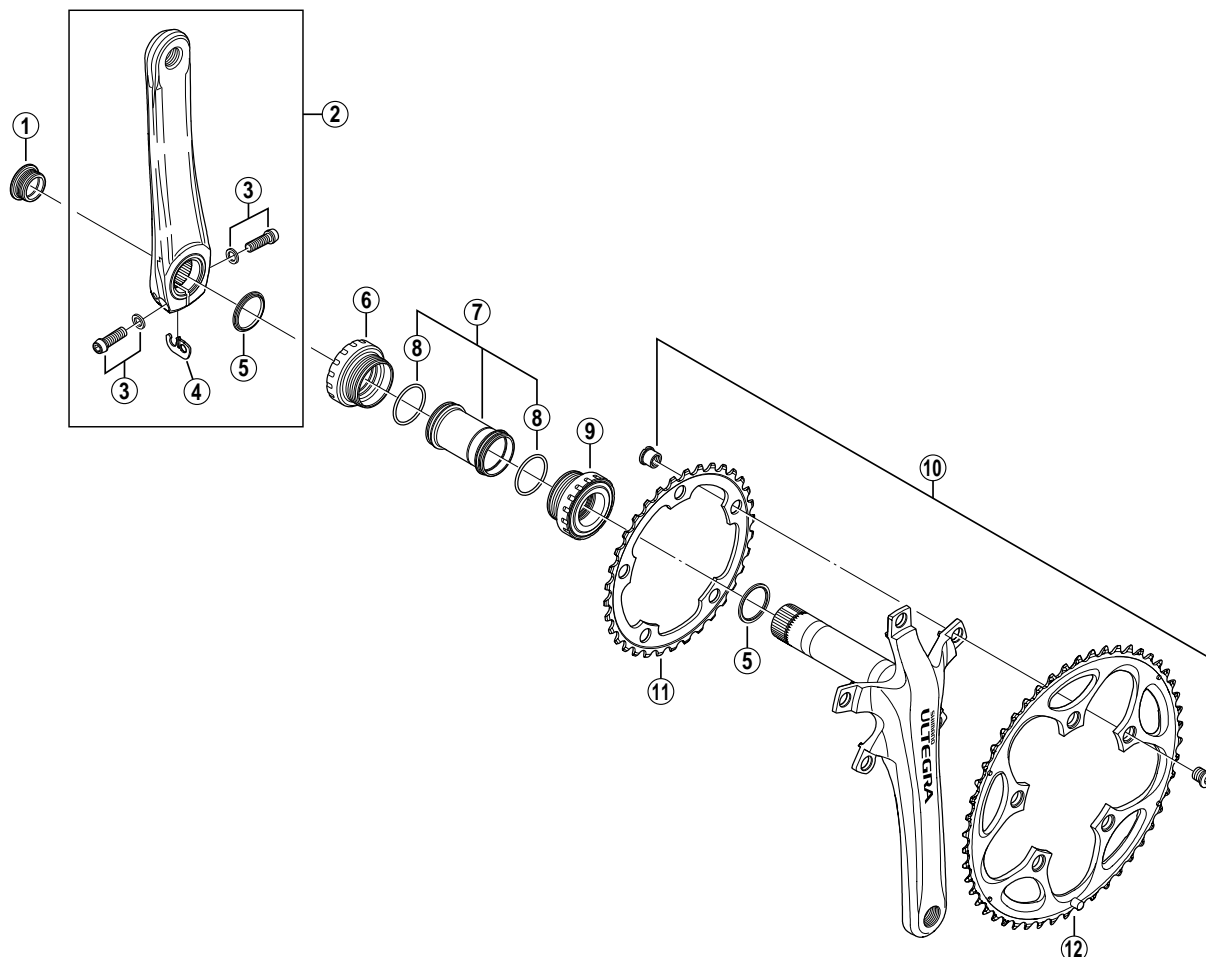


# ULTEGRA Front Chainwheel

## FC-6650-G Ice Grey Version



• Bolt circle diameter: 110 mm

FC-6650-S  
FC-5650  
FC-R600

ITEM NO.	SHIMANO CODE NO.	DESCRIPTION	INTERCHANGEABILITY
1	Y-1F3 08000	Crank Arm Fixing Bolt	
2	Y-1JN 98030	Left Hand Crank Arm 165 mm	
	Y-1JN 98040	Left Hand Crank Arm 170 mm	
	Y-1JN 98050	Left Hand Crank Arm 172.5 mm	
	Y-1JN 98060	Left Hand Crank Arm 175 mm	
3	Y-1G3 98010	Clamp Bolt (M6 x 19) & Washer	A A A
4	Y-1GE98050	Plate	A A A
5	Y-1F3 16000	Ring	A A A
6	Y-1JN 98070	Left Hand Adapter (B.C.1.37" x 24T) English Thread	
	Y-1JN 98080	Left Hand Adapter (M36 x 24T) Italian Thread	
7	Y-1G3 98150	Inner Cover & O-Ring	
8	Y-1TF 21000	O-Ring	A A B
9	Y-1JN 98090	Right Hand Adapter (B.C.1.37" x 24T) English Thread	
	Y-1JN 98100	Right Hand Adapter (M36 x 24T) Italian Thread	
10	Y-1JN 98110	Gear Fixing Bolt (M8 x 9.1) & Nut (5 sets)	
11	Y-1JR 34000	Chainring 34T (Ice Grey)	B B B
12	Y-1JR 98010	Chainring 50T (Ice Grey)	B B B

A: Same parts.

B: Parts are usable, but differ in materials, appearance, finish, size, etc.  
Absence of mark indicates non-interchangeability.

0706-2756

Specifications are subject to change without notice.

# SHIMANO