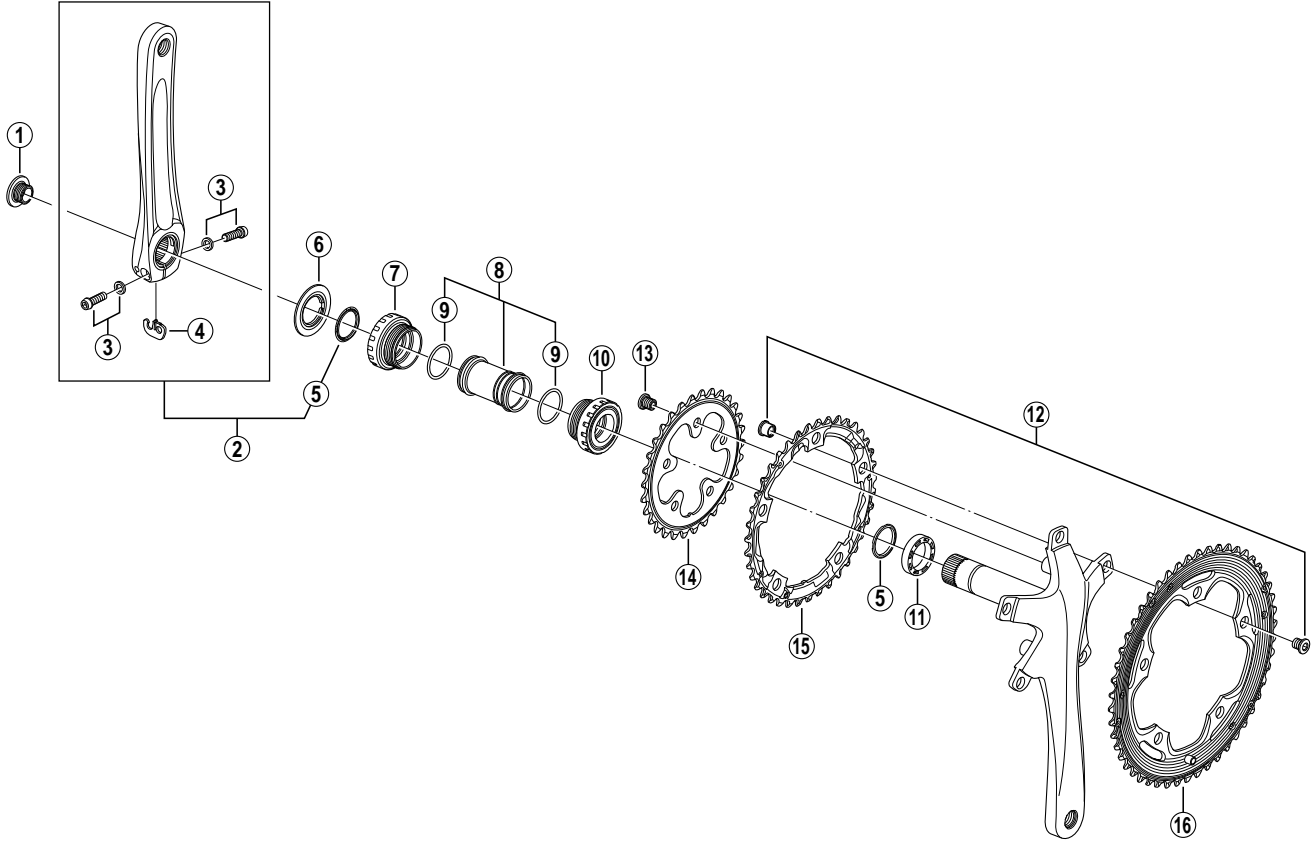


Front Chainwheel FC-R553



• Bolt circle diameter: 130 mm...(For outer gear and middle gear), 74 mm...(For inner gear)

ITEM NO.	SHIMANO CODE NO.	DESCRIPTION	INTERCHANGEABILITY	
			FC-R550	FC-4503
1	Y-1H6 14000	Crank Arm Fixing Bolt	A	A
2	Y-1HA98010	Left Hand Crank Arm 165 mm	A	B
	Y-1HA98020	Left Hand Crank Arm 170 mm	A	B
	Y-1HS 98010	Left Hand Crank Arm 172.5 mm	A	B
	Y-1HA98030	Left Hand Crank Arm 175 mm	A	B
3	Y-1G3 98010	Clamp Bolt (M6 x 19) & Washer	A	A
4	Y-1GE98050	Plate	A	A
5	Y-1F3 16000	Ring	A	A
6	Y-1GF 11000	Spacer (3 mm)		A
7	Y-1H6 98040	Left Hand Adapter (B.C.1.37" x 24T) English Thread	A	A
	Y-1H6 98050	Left Hand Adapter (M36 x 24T) Italian Thread	A	A
8	Y-1H6 98060	Inner Cover & O-Ring	A	A
9	Y-1TF 21000	O-Ring	A	A
10	Y-1H6 98070	Right Hand Adapter (B.C.1.37" x 24T) English Thread	A	A
	Y-1H6 98080	Right Hand Adapter (M36 x 24T) Italian Thread	A	A
11	Y-1F9 13000	Spacer (6.5 mm)		A
12	Y-1H6 98090	Double Gear Fixing Bolt (M8 x 8.5) & Nut (5 sets)	A	A
13	Y-1GF98010	Inner Gear Fixing Bolt (M8 x 8.5 / 5 pcs.)		
14	Y-1J0 30000	Chainring 30T (Silver)		
15	Y-1J0 98010	Chainring 39T (Silver)		
16	Y-1J0 98020	Chainring 50T-D (Silver)		

A: Same parts.

B: Parts are usable, but differ in materials, appearance, finish, size, etc.

Absence of mark indicates non-interchangeability.

0607-2598

Specifications are subject to change without notice.

SHIMANO