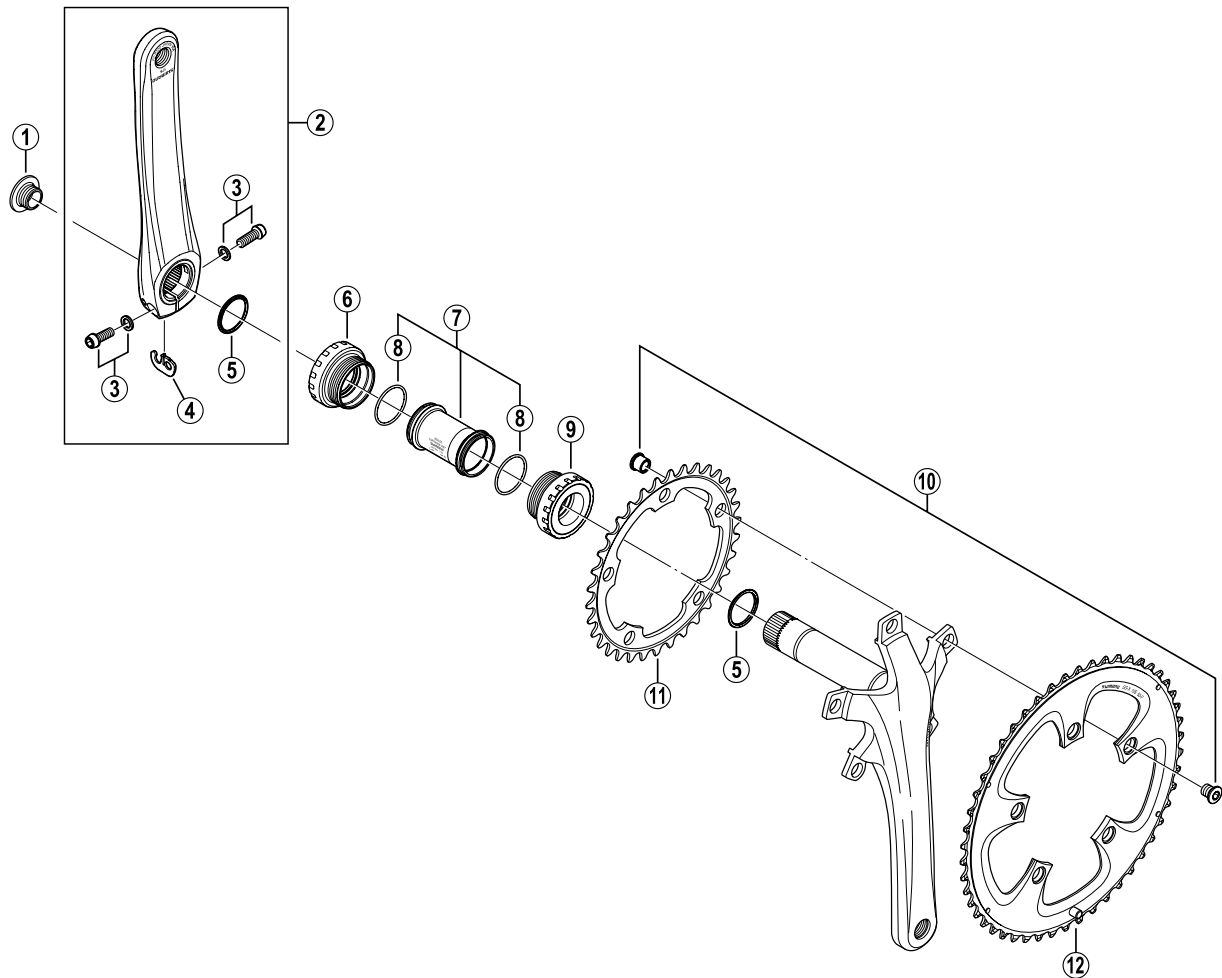


# Front Chainwheel FC-R700



• Bolt circle diameter: 110 mm

| ITEM NO. | SHIMANO CODE NO. | DESCRIPTION   |
|----------|------------------|---|
| 1        | Y-1G3 11000      | Crank Arm Fixing Bolt                               |
| 2        | Y-1H0 98010      | Left Hand Crank Arm 165 mm                          |
|          | Y-1H0 98020      | Left Hand Crank Arm 170 mm                          |
|          | Y-1H0 98030      | Left Hand Crank Arm 172.5 mm                        |
|          | Y-1H0 98040      | Left Hand Crank Arm 175 mm                          |
| 3        | Y-1G3 98010      | Clamp Bolt (M6 x 19) & Washer                       |
| 4        | Y-1GE98050       | Plate   |
| 5        | Y-1F3 16000      | Ring  |
| 6        | Y-1G3 98130      | Left Hand Adapter (B.C.1.37" x 24T) English Thread  |
|          | Y-1G3 98140      | Left Hand Adapter (M36 x 24T) Italian Thread        |
| 7        | Y-1G3 98150      | Inner Cover & O-Ring                                |
| 8        | Y-1TF 21000      | O-Ring  |
| 9        | Y-1G3 98160      | Right Hand Adapter (B.C.1.37" x 24T) English Thread |
|          | Y-1G3 98170      | Right Hand Adapter (M36 x 24T) Italian Thread       |
| 10       | Y-1G3 98020      | Gear Fixing Bolt (M8 x 8.5) & Nut (5 sets)          |
| 11       | Y-1H0 34000      | Chainring 34T (Silver)                              |
| 12       | Y-1H0 98050      | Chainring 50T (Silver)                              |

0507-2517

Specifications are subject to change without notice.

# SHIMANO