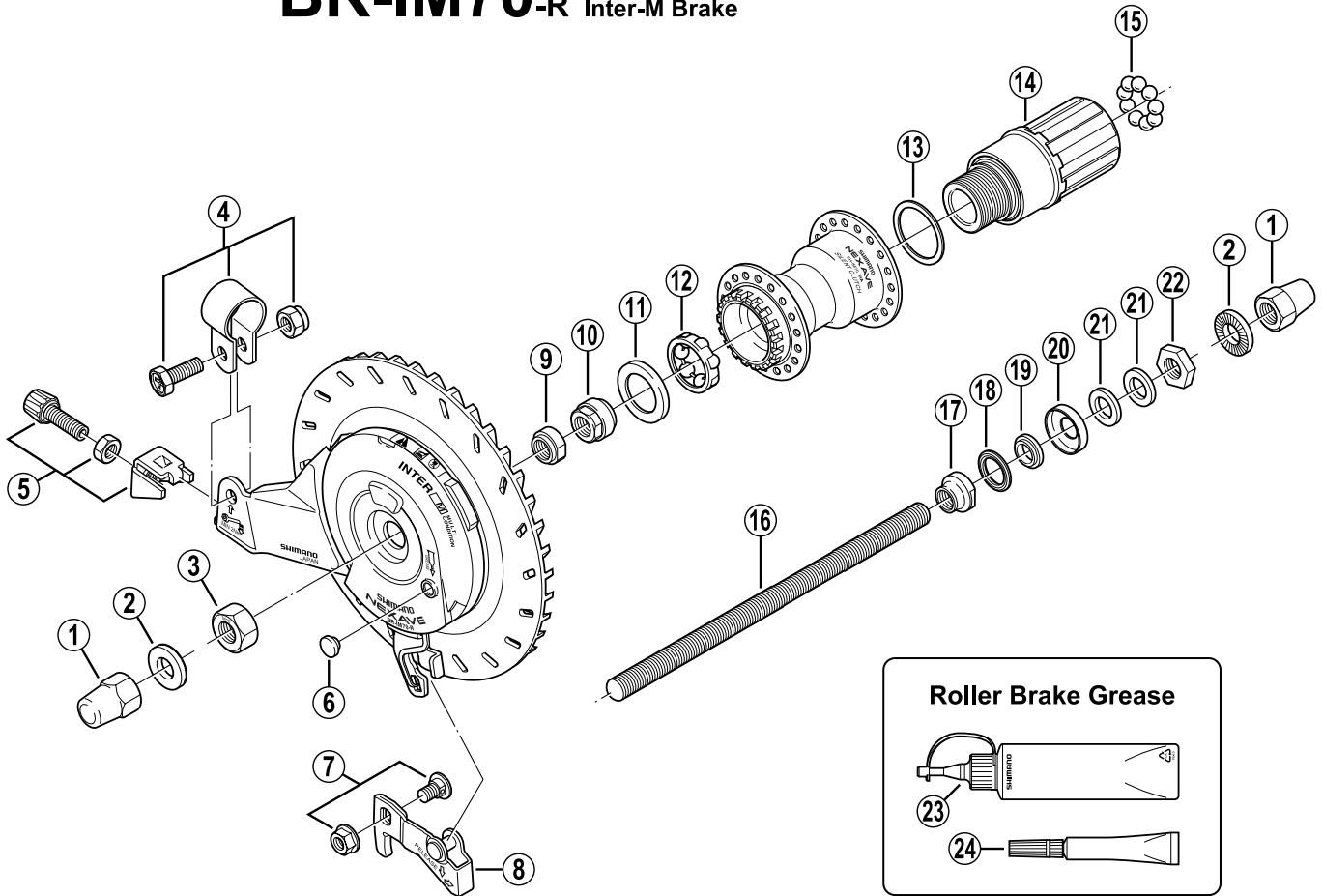


SHIMANO NEXAVE FREEHUB w/Hi-Power Roller Brake

**FH-IM70** Freehub (Silent Clutch) for 8/9-Speed

**BR-IM70-R** Inter-M Brake



Q'TY	ITEM NO.	SHIMANO CODE NO.	DESCRIPTION
	1	Y-314 14200	Cap Nut (M10)
	2	Y-220 06010	Washer (3.2 mm)
	3	Y-75V 13030	Brake Unit Fixing Nut (8.2 mm)
	4	Y-75M 98050	Brake Arm Clip Unit (φ 15 mm)
		Y-33F 98090	Brake Arm Clip Unit (5/8")
		Y-75M 98060	Brake Arm Clip Unit (11/16")
		Y-33F 98100	Brake Arm Clip Unit (3/4")
	5	Y-75E 98010	Brake Cable Adjusting Bolt Unit
	6	Y-75F 11000	Grease Hole Cap
	7	Y-75F 98020	Inner Cable Fixing Bolt & Nut
	8	Y-75E 98020	Link Unit
	9	Y-31Z 06010	Lock Nut for Left Hand Cone (M10)
	10	Y-31Z 05010	Left Hand Cone (M10)
	11	Y-31Z 07000	Left Hand Dust Cap
	12	Y-321 90220	Ball Retainer (1/4" x 7)
	13	Y-3A4 13000	Freewheel Body Washer
	14	Y-31V 98010	Complete Freewheel Body w/Right Hand Dust Cap
	15	Y-000 91310	Steel Ball (1/4") 18 pcs.
	16	Y-30J 06510	Hub Axle (M10 x 180 mm)
	17	Y-3AE 03000	Right Hand Cone (M10 x 9 mm)
	18	Y-214 06000	Seal Ring
	19	Y-31V 03000	Right Hand Axle Spacer
	20	Y-3A0 05100	Right Hand Dust Cap
	21	Y-301 06100	Right Hand Washer (2.3 mm)
	22	Y-385 01011	Lock Nut (4.5 mm)
	23	Y-041 20400	Roller Brake Grease (Net. 100g)
	24	Y-041 40020	Roller Brake Grease (Net. 10g)