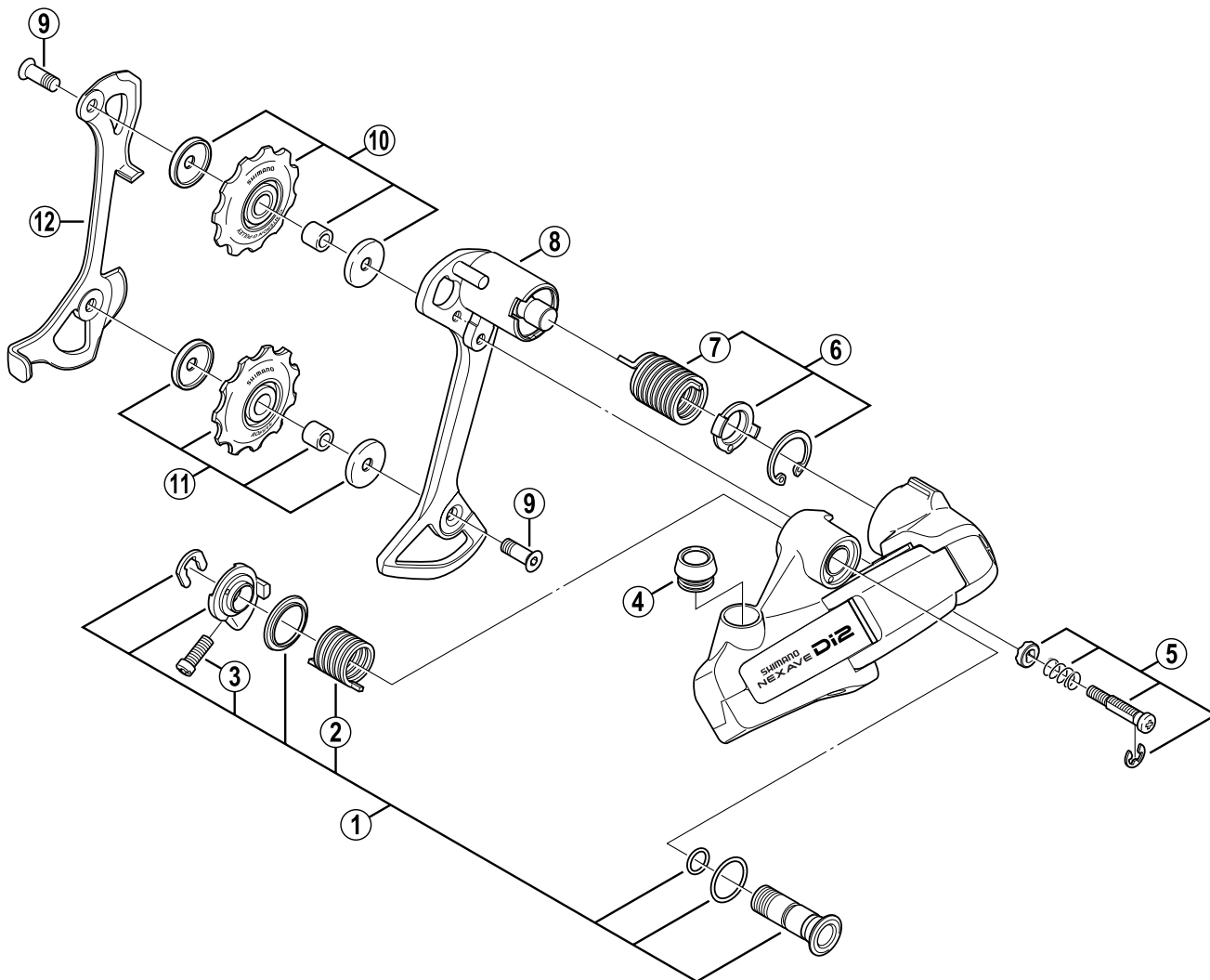


SHIMANO NEXAVE Rear Derailleur

RD-C810 8-Speed



Q'TY	ITEM NO.	SHIMANO CODE NO.	DESCRIPTION
	1	Y-5U4 98010	B-Axle Assembly
	2	Y-5U4 83000	B-Tension Spring
	3	Y-556 25010	B-Tension Adjusting Screw (M4 x 12)
	4	Y-5UT 34100	Connector Cap
	5	Y-5UT 98020	Adjusting Bolt Unit
	6	Y-5UT 98030	P-Tension Spring Unit
	7	Y-5UT 29000	P-Tension Spring
	8	Y-5U4 98020	Outer Plate Assembly
	9	Y-53M 24000	Pulley Bolt
	10	Y-5UN98060	Guide Pulley Unit
	11	Y-5UN98070	Tension Pulley Unit
	12	Y-5TP 10000	Inner Plate