

General Safety Information

⚠ WARNING

– To avoid serious injuries:

- Be sure to attach reflectors to the bicycle when riding at night. Do not continue riding the bicycle if the reflectors are dirty or damaged, otherwise it becomes more difficult for oncoming vehicles to see you.
- If you have any questions concerning your pedals, contact a professional dealer.
- Read these Technical Service Instructions carefully, and keep them in a safe place for later reference.

NOTE:

Parts are not guaranteed against natural wear or deterioration resulting from normal use.

SI-PD40C

SM-PD40

Reflector

Technical Service Instructions

Note:

This reflector (SM-PD40) is for use with the PD-M545/PD-M434/PD-M424 pedals only.

These service instructions are printed on recycled paper.
Please note: Specifications are subject to change for improvement without notice. (English)

SHIMANO®

SHIMANO AMERICAN CORPORATION
One Holland, Irvine, California 92618, U.S.A. Phone: +1-949-951-5003

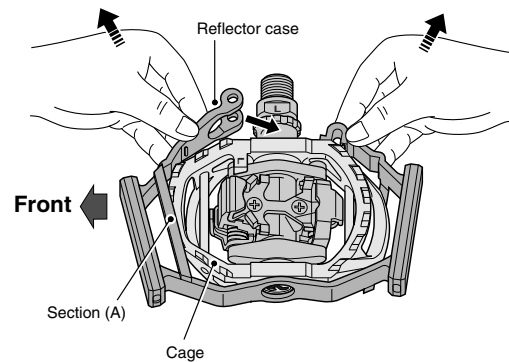
SHIMANO EUROPE HOLDING B.V.
Industrieweg 24, 8071 CT Nunspeet, The Netherlands Phone: +31-341-272222

SHIMANO INC.
3-77 Oimatsu-cho, Sakai, Osaka 590-8577, Japan

© Feb. 2004 by Shimano Inc. PIT. SZK. Printed in Japan

Installation

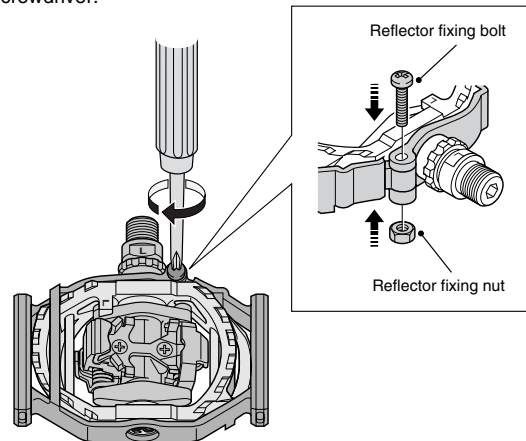
1. Open the reflector case and clamp it onto the pedal cage.



Note:

There are two types of reflector: one for use on the right side and the other for use on the left side. In both cases, set so that section (A) of the reflector case is facing upward and toward the front.

2. Pass the reflector fixing bolt through the holes at both ends of the reflector case, push the reflector fixing nut on the other end into the opening and tighten the bolt using a Phillips screwdriver.



Removal

Use a Phillips screwdriver to remove the reflector fixing bolt and nut, and then open the reflector case and remove the reflector from the pedal cage.